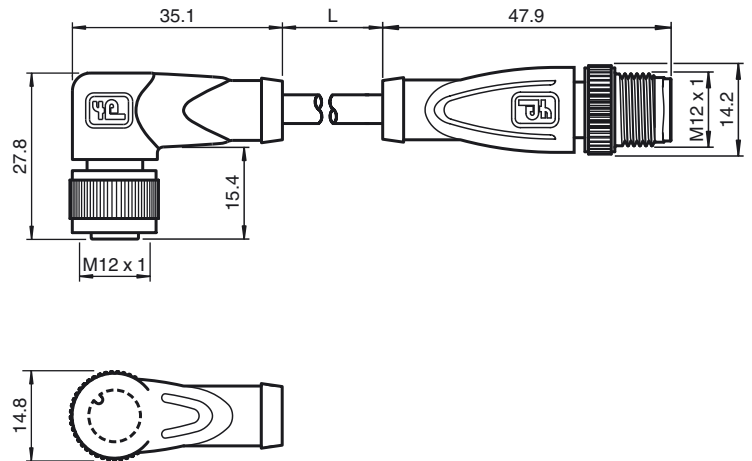


Dimensions



Model Number

V11-W-5M-PUR-V11-G

Connecting cable, M12 to M12, PUR cable 3-pin

Features

- Knurled nut suitable for tool assembly
- Immunity to vibration, with mechanical latching
- Gold-plated and machined contacts
- Degree of protection IP67 / IP68 / IP69K
- Halogen-free
- Suitable for 2- and 3-wire technology

Technical data

General specifications

Number of pins 3

Electrical specifications

Operating voltage U_B max. 300 V DC

Test voltage > 1500 V_{eff} AC

Operating current I_B max. 4 A

Volume resistance < 5 mΩ

Ambient conditions

Ambient temperature -25 ... 100 °C (-13 ... 212 °F)
for temperatures over 80 °C (176 °F) reduced elongation at tear

Pollution degree 3

Mechanical specifications

Contact elements spring-loaded contact socket

Pin diameter 1 mm

Degree of protection IP67 / IP68 / IP69k

Material

Contacts CuSn / Au

Contact surface Au

Body TPU, green

Cable PUR

Slotted nut Diecast zinc

Sleeve connector Diecast zinc

Core insulation PP

Cable fine-strand, flexible

Sheath diameter Ø4.8 mm

Bending radius > 10 x cable diameter, moving

Color grey

Cores 3 x 0.34 mm²

Conductor construction 19 x 0.15 mm Ø

Length L 5 m

Flammability

Contact carrier 94 V-2

Housing 94 V-2

Electrical connection

